

SERIES 30003



Bimetal Thermostat with Creep Action Contacts

11.02.0

FEATURES

- Adjustable or pre-set fixed temperature models
- Easy mounting with a single screw
- Corrosion resistant nickle plated steel
- Narrow differential provides close temperature control
- UL and cUL component recognized

APPLICATIONS

- Heater Fans
- Griddles and Waffle Irons
- Countertop Cooking Appliances
- Laminating Equipment
- Platens
- Dry and Steam Irons
- Water heaters
- Air-Flow Sensing Applications

DESCRIPTION

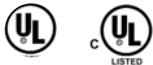
The Fenwal Series 30003 Surface Mount Thermostats are built for long, reliable performance in a wide range of OEM applications where the temperatue of a metal surface or an air-flow is to be controlled. They are open-framed bimetal devices that function on the principle of differential expansion of metals: when the set temperature is reached, the contacts open - when the temperature drops, the contacts close.

Infinite energy control models are available for applications such as ovens and countertop appliances where the thermostat mounting location requires additional heat to actuate the contacts to open.

Fenwal...quality products for OEMs since 1938.

AGENCY APPROVALS

File #: E18974 The Series 30003 complies to UL 873.

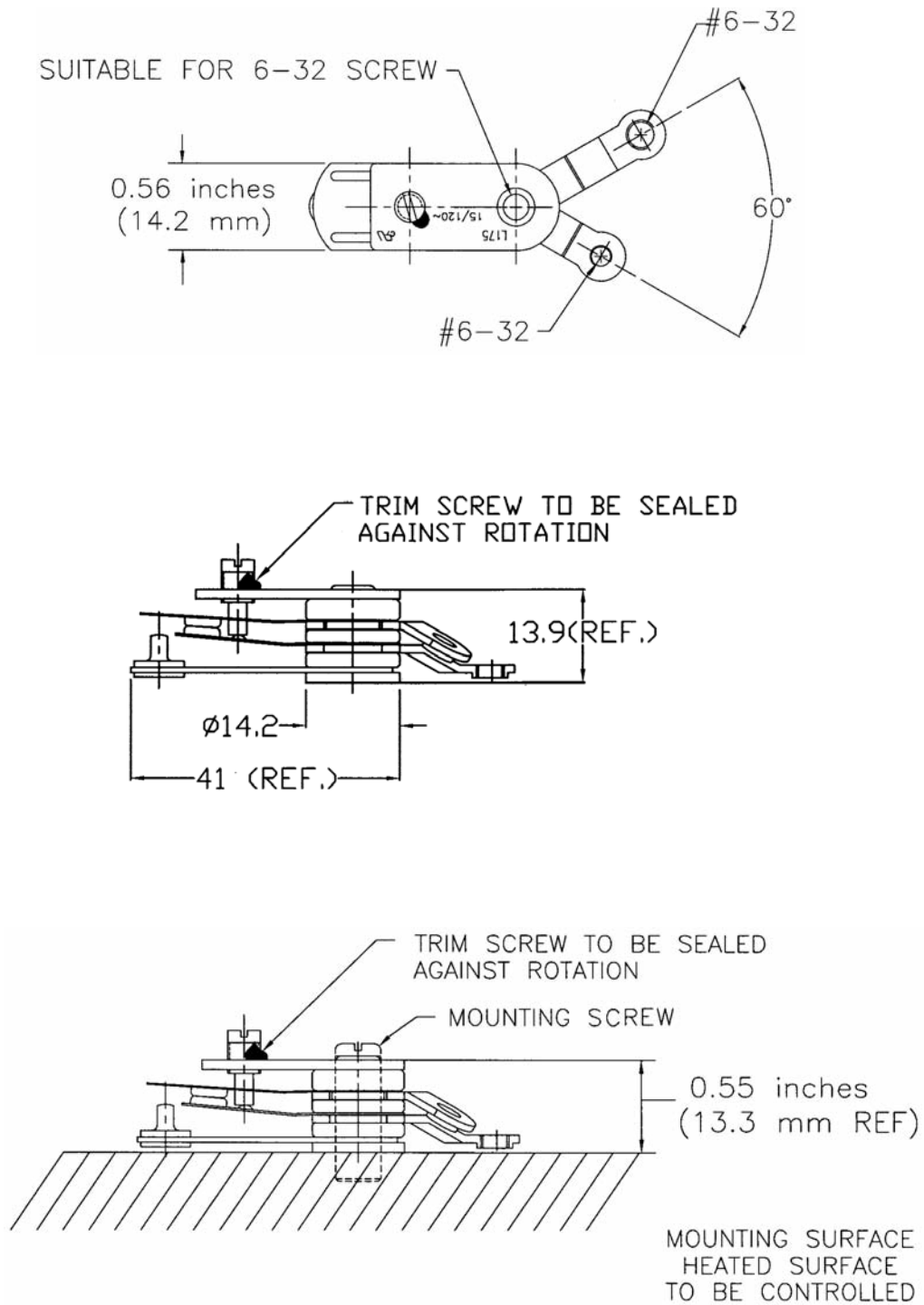


SPECIFICATIONS

Rated Voltage Rated Current	120VAC 15A
Test Class	100,000 cycles
Maximum Temperature	482°F (250°C)
Operating Range	32 - 482°F (0 to 250°C)
Factory Temperature Setting Tolerance	+/- 5%
Differential	5 - 13°F
Rotating Angle	100 - 300 degrees
Design	Complies to UL 873
Approval	UL, cUL
Adjusting Spindle	0.4" - 2.0"

CONTROL DIMENSIONS

FIGURE 1



DISTRIBUTOR FRANCE: FOX-CONCEPT FENWAL
 TEL: 33(0)1 30 54 17 67 FAX: 33(0)1 30 55 74 50
 www.fenwal.fr

These instructions do not purport to cover all the details or variations in the equipment described, nor do they provide for every possible contingency to be met in connection with installation, operation and maintenance. All specifications are subject to change without notice. Should further information be desired or should particular problems arise which are not covered sufficiently for the purchaser's purposes, the matter should be referred to KIDDE-FENWAL, Inc., Ashland, Massachusetts.